

PARTS / OWNERS MANUAL

For

SUBMERSIBLE PUMPS

PUB-SP001
Rev. 08/08

Robin America, Inc.

940 Lively Blvd. • Wood Dale, IL 60191 • Phone: 630-350-8200 • Fax: 630-350-8212
e-mail: sales@robinamerica.com • www.robinamerica.com

© Copyright 2008 Robin America, Inc.

GROUP INDEX

Group Name	Page
Instructions for Use.....	6
Troubleshooting.....	7
RPX-65011	8
RPS-65011	10
RPB-65011	12
RPB7-65011	14
RPKS-65011*	16
RPXL-65011	18

* Submersible Trash

Thank you for choosing a Subaru Submersible Pump.

This manual is prepared for your safety when operating the pump.
Please read carefully and comprehend fully before use.
(Wrong usage could cause injury or death.)

Please keep this manual handy for future reference.

PLEASE READ MANUAL BEFORE OPERATION.

**“ACCEPTABLE FOR INDOOR OR OUTDOOR USE”
“SUBMERSIBLE PUMP”**

CAUTION

Before use, please make sure to read the instruction manual.
Do not operate the pump out of water or insufficient water.

WARNING

Risk of electric shock. This pump is supplied with a grounding conductor and grounding-type attachment plug. To reduce risk of electrical shock, connect only to a properly grounded, grounding-type receptacle.
TO REDUCE THE RISK OF ELECTRIC SHOCK, INSTALL ONLY ON A CIRCUIT PROTECTED BY A GROUND-FAULT CIRCUIT-INTERRUPTER (GFCI).

NOTE

This pump is not intended for use where water is occupied by people. This pump is intended for use with water only.

CAUTION

Ground Fault Circuit Breaker

For home use, connect to a GFCI receptacle (if available) to ensure safety.

Connect the power source

This pump is to be connected to a 120 volt, 60 hertz power source.

Application

This pump is not intended for use in any oil, sea water, strong alkaline or strong acidic solution, or any agricultural chemicals.

Do not run dry

To avoid damage to the pump, place the pump at the deepest position in the water. Running the pump without water will result in damage to the seals.

Handling of the power cord

Never lift or move the pump by the power cord. Only lift by handle or rope tied to handle. Select and use proper size extension cord.

Instructions for use

Check the nameplate for output and voltage required for the pump. Improper voltage may result in damage to the pump.

Placement of pump

The pump can be used in most places. But avoid continuous short-water operation at a sandy place, as it may accelerate wear of the pump. Install the pump at a position where water can be collected the easiest. When the pump is installed on soft, muddy or sandy ground, place the pump on a solid surface to prevent the pump from sinking in the mud. Strictly refrain from putting into any pond, bath, or swimming pool which is occupied by people.

Hoses

When any hose is used for connection, keep the hose as straight as possible as excessively bent hose reduces water quantity. Refrain from placing the discharge port under water as efficiency may be reduced and damage may occur.

Power Cord Cable

To move or install the pump, hold the pump by the handle or a rope tied to the handle. Do not use the power cord cable to pull the pump as damage to the internal wires may result. Use extension cords of the same or larger size as the pump. Do not put the power cord connection in the water as electrical shock may occur.

Ground Wire

Be sure to connect the ground wire before connecting the power cord cable to the power source.

Thermal protector

The pump incorporates a thermal protector to protect the motor. If the motor is stopped automatically at an over-load operation such as clogged intake or low or no water, turn off the power source and inspect pump, prior to re-starting.

Storage

If the pump has been used for pumping water with a high sand content, continue running pump with clean water to clean out any debris prior to storage.

After using the pump

In cold climates, do not allow water in the pump to freeze. Completely drain and dry the pump of water prior to storage.

Maintenance and inspection

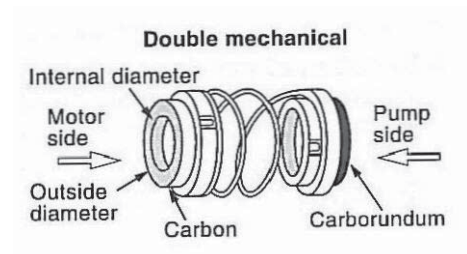
Periodically check the insulated condition with a megger tester (insulation resistance tester). The acceptable resistance between the ground wire and the power cord should be 100Meg ohm or higher.

The shaft of the water-tight pump is sealed with liquid paraffin. The quantity of liquid paraffin should be checked periodically. Use 170cc of Cystal No. 70 by Exxon Mobil Corporation for the sealing. The liquid paraffin can be checked easily by removing the hexagon socket head bolt at the side of the pump body.

CAUTION

The pumps use a double mechanical seal. (See Figure)
Consult the following table for assembly.

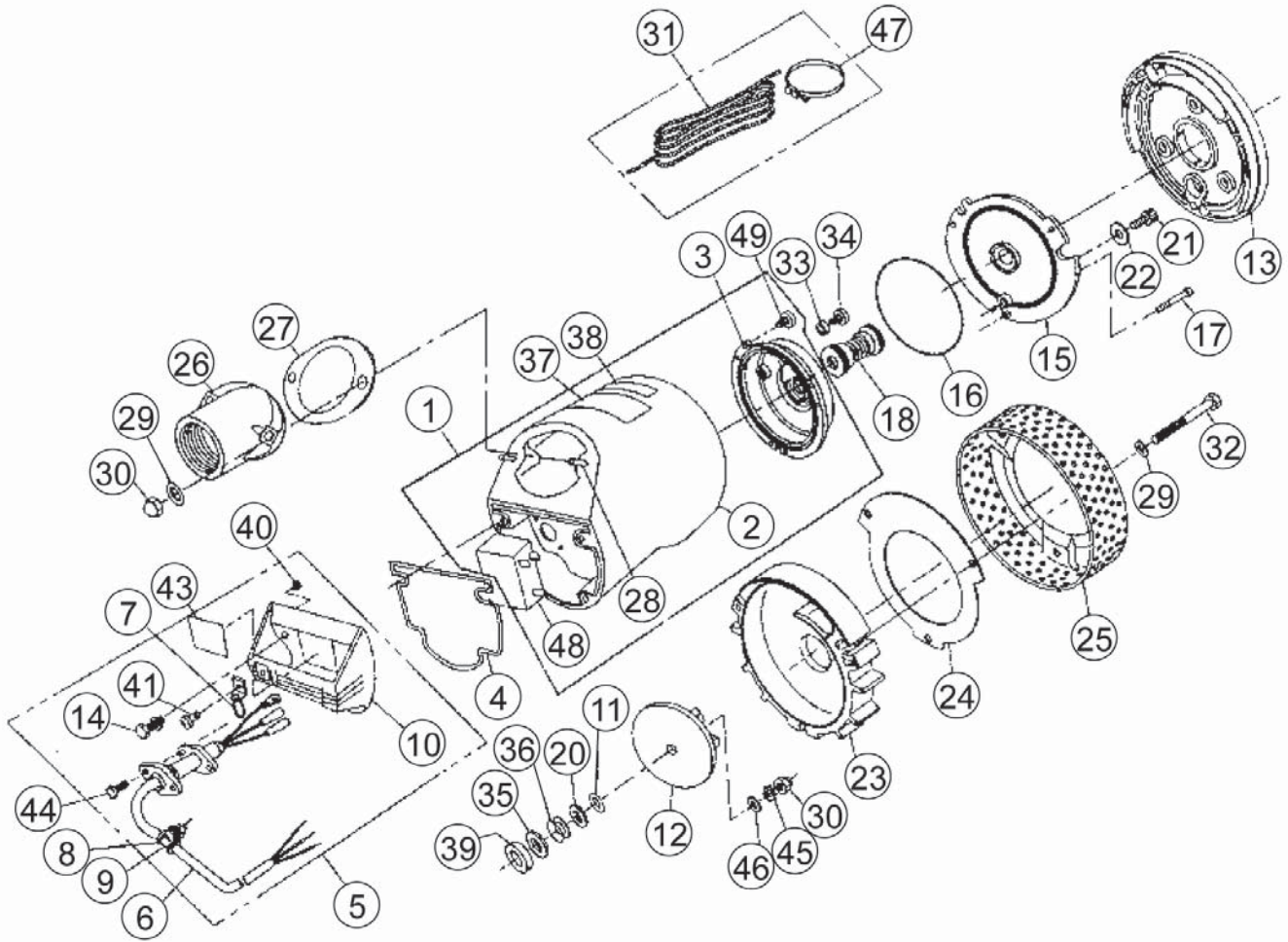
Mechanical Seal	Motor Side (Carbon)	Pump Side (Carborundom)
Outside Diameter	22.5mm	20.5mm
Internal Diameter	18.5mm	15.0mm



TROUBLESHOOTING

PROBLEM	POSSIBLE CAUSE	SOLUTION
No start at all or stops immediately after start	Not properly connected to power circuit	Correct connection
	The GFCI, leakage circuit breaker is actuated	Check the power circuit
	The impeller is caught by foreign substance	Repair the point of leakage
	Motor is burnt	Repair or replace
	Voltage drop	Raise the voltage to the rating
Failure during operation	The thermal protection is actuated	Remove foreign substance if the impeller is clogged
		Lower the water temperature if it is too high
No pumping or poor performance	Voltage drop	Raise the voltage to the rating
	High delivery head	Lower the head
	Discharge hose is clogged	Unclog hose
	Impeller wear	Replacement
	Clogging of foreign matter in strainer pump	Unclog hose

RPX-65011

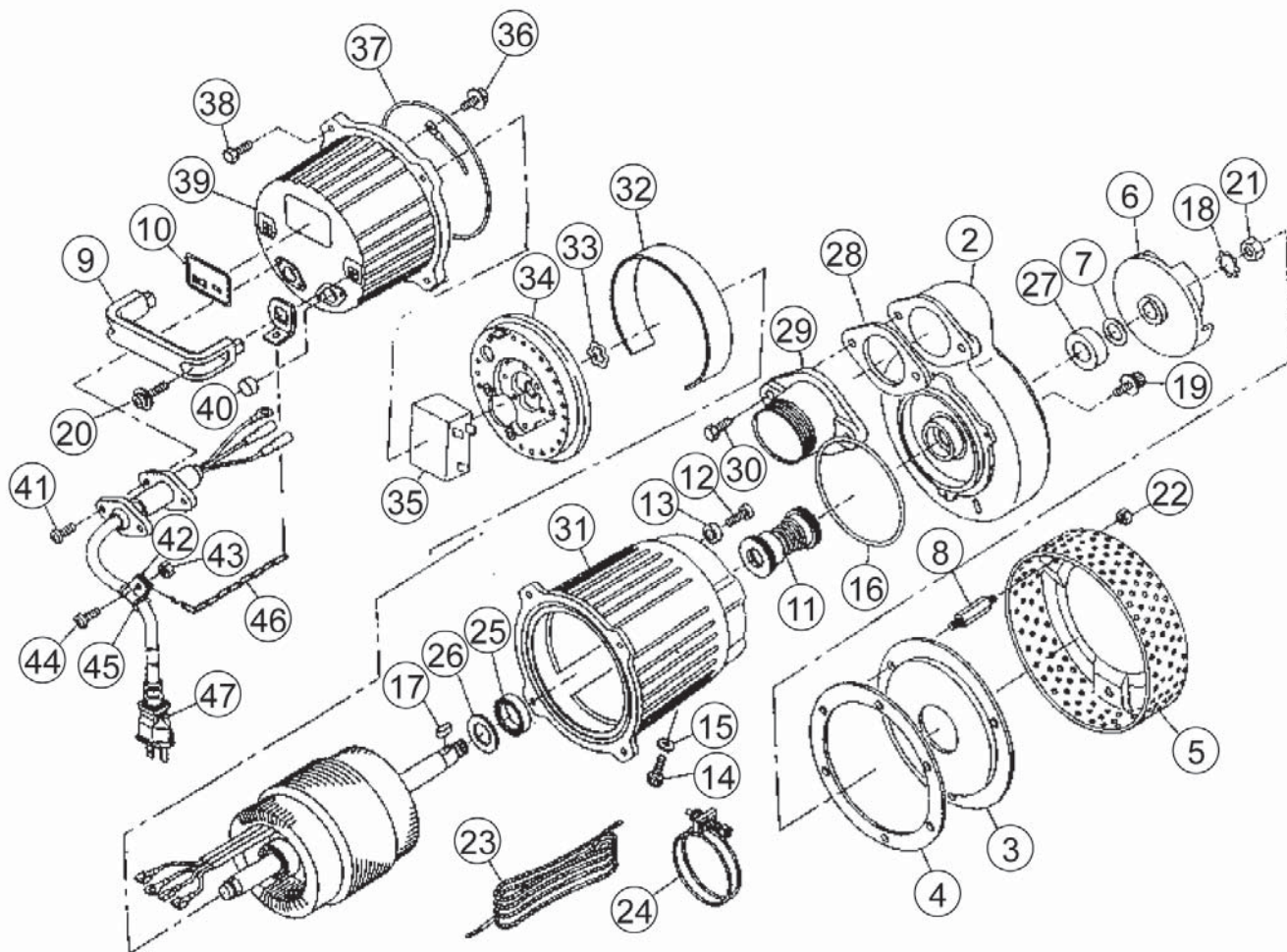


RPX-65011

Ref #	Part Number	Description	Qty
1	0438067	Motor Ay	1
2	0430399	Frame	1
3	0430267	Bracket	1
4	0430284	Head Gasket	1
6	0430308	Power Cord	1
7	0438066	Chain Ay	1
8	0390031	Cord Supporter	1
9	0260018	Cord Band	1
10	0430404	Handle	1
11	0430441	Adjusting Washer	2
12	0430280	Impeller	1
13	0430273	Back Liner	1
14	743605031	Hex Bolt	4
15	0430271	Front Cover	1
16	889955125	O ring	1
17	734505037	Hex Socket Bolt	3
18	0430243	Mechanical Seal	1
20	0390025	Adjusting Washer	2
21	0390037	Hex Socket Bolt	1
22	854255010	Seal Washer	2
23	0430274	Casing	1
24	0430269	Suction Flange	1
25	0430270	Strainer	1
26	0430306	Delivery Flange	1

Ref #	Part Number	Description	Qty
27	0430383	Delivery Flange Gasket	1
28	0430290	Stud Bolt	2
29	846005008	Washer	5
30	835305008	Hex Cap Nut	3
31	0390101	Rope	1
32	735705162	Hex Bolt	3
33	0340142	Seal Ring	1
34	0340153	Screw	1
35	0340277	Thrust Washer	1
36	895154014	Oil Seal	1
37		Label	1
38		Caution Label	1
39	0430299	Thrust Gasket	1
40	707820074	Screw	1
41	703305100	Screw	2
42	827305005	Hex Nut	1
43		Label	1
44	703305102	Screw	2
45	845305008	Toothed Washer	1
46	846505008	Washer	1
47	940019060	Hose Band	1
48	0430392	Condenser	1
49	734605035	Hex Bolt	3

RPS-65011

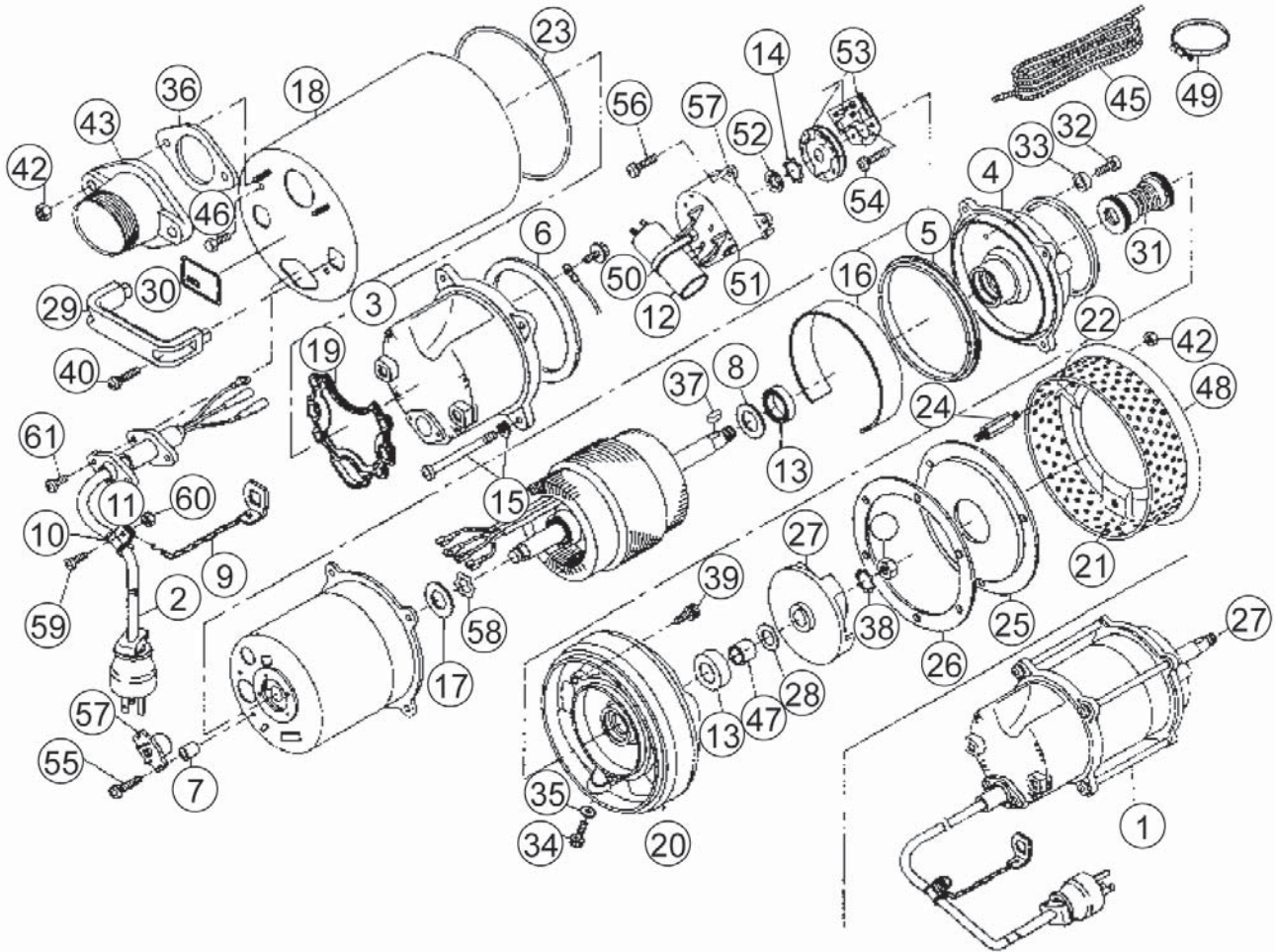


RPS-65011

Ref #	Part Number	Description	Qty
1	0398104	Motor Ay	1
2	0390011	Casing	1
3	0390016	Suction Cover	1
4	0390019	Suction Gasket	1
5	0390017	Strainer	1
6	0390030	Impeller	1
7	0390025	Adjusting Washer	2
8	03900020	Stud Bolt	3
9	0390021	Handle	1
10		Label	1
11	04304243	Mechanical Seal	1
12	0340153	Screw	1
13	0340142	Seal Ring	1
14	0390037	Hex Bolt	1
15	854255010	Seal Washer	1
16	889955100	O ring	1
17	884205023	Key	1
18	845205010	Toothed Washer	1
19	0390150	Hex Socket Bolt	3
20	707605057	Screw	2
21	827405010	Hex Nut	1
22	827405008	Hex Nut	3
23	0390101	Rope	1
24	940019060	Hose Band	1

Ref #	Part Number	Description	Qty
25	0430299	Thrust Gasket	1
26	0390537	Thrust Washer	1
27	895154014	Oil Seal	1
28	0390092	Delivery Gasket	1
29	0430143	Delivery Gasket	1
30	748119032	Hex Bolt	2
31	0390473	Frame	1
32	0390500	Supporter	1
33	0390490	Wave Washer	1
34	0390475	Bracket	1
35	0390578	Condenser	1
36	0390497	Screw	1
37	0390149	Head Gasket	1
38	0390494	Hex Bolt	4
39	0390566	Head Cover	1
40	0390501	Head Bushing	1
41	0390495	Screw	2
42	0260018	Cord Band	1
43	827305005	Hex Nut	1
44	0390483	Screw	1
45	0390031	Cord Supporter	1
46	0398106	Chain Ay	1
47	0430088	Power Cord	1

RPB-65011

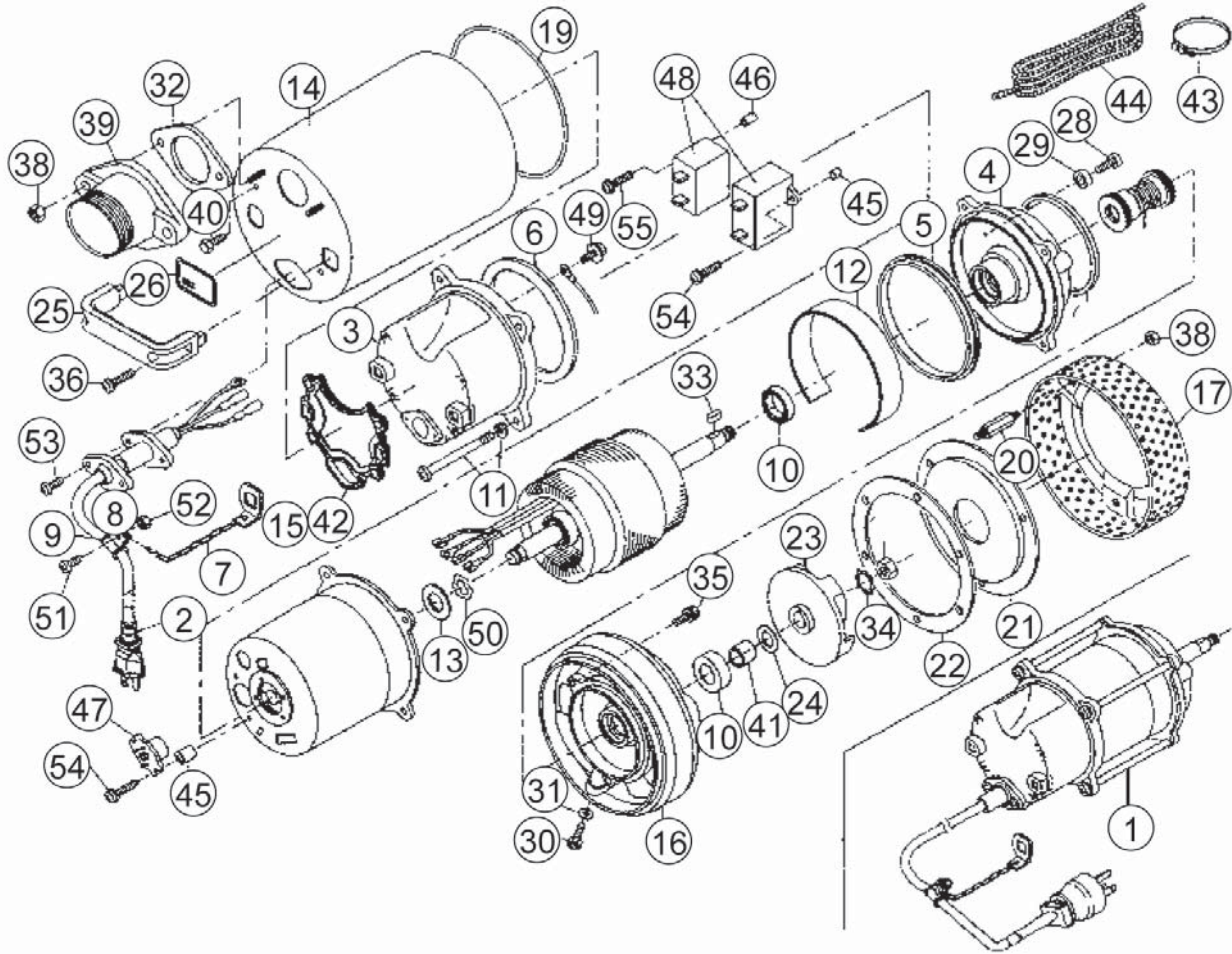


RPB-65011

Ref #	Part Number	Description	Qty
1	0438011	Motor Ay	1
2	0430088	Power Cord	1
3	0430012	Head Cover	1
4	0430009	Front Bracket	1
5	0430004	Frame Gasket	1
6	0430003	Head Gasket	1
7	0430002	Spacer	2
8	0390026	Bearing Washer	1
9	0390027	Chain Ay	1
10	0390031	Cord Supporter	1
11	0260018	Cord Band	1
12	0390002	Condenser	1
13	893555042	Oil Seal	2
14	0390141	Toothed Washer	1
15	0430043	Screw	4
16	0430023	Supporter	1
17	0430082	Washer	1
18	0430008	Outer Cover	1
19	0430013	Outer Gasket	1
20	0430136	Casing	1
21	0430007	Strainer	1
22	889955100	O ring	1
23	0430025	O ring	1
24	0430014	Stud Bolt	3
25	0390016	Suction Cover	1
26	0390019	Suction Cover Gasket	1
27	0390030	Impeller	1
28	0390025	Adjusting Washer	2
29	0430078	Handle	1
30		Label	1

Ref #	Part Number	Description	Qty
31	0430243	Mechanical Seal	1
32	0340153	Screw	1
33	0340142	Seal Ring	1
34	0390037	Hex Socket Bolt	1
35	854255010	Seal Washer	1
36	0390092	Delivery Gasket	1
37	884205023	Key	1
38	845205010	Toothed Washer	1
39	0430044	Hex Socket Bolt	3
40	707605057	Screw	2
41	827405010	Nut	1
42	827405008	Nut	5
43	0390077	Delivery Flange	1
45	0390101	Rope	1
46	747805028	Hex Bolt	4
47	0430074	Sleeve	1
48	0430075	Bottom Plate	1
49	940019060	Hose Band	1
50	0390142	Band	1
51	0430022	Cent. Force Switch Cover	1
52	888727008	Stop Ring	1
53	0390001	Cent. Force Switch	1
54	707825018	Screw	2
55	708219042	Screw	2
56	708119037	Screw	2
57	0390079	Thermal Protector	1
58	857627023	Wave Washer	1
59	703305100	Screw	1
60	827305005	Nut	1
61	703305102	Screw	2

RPB7-65011

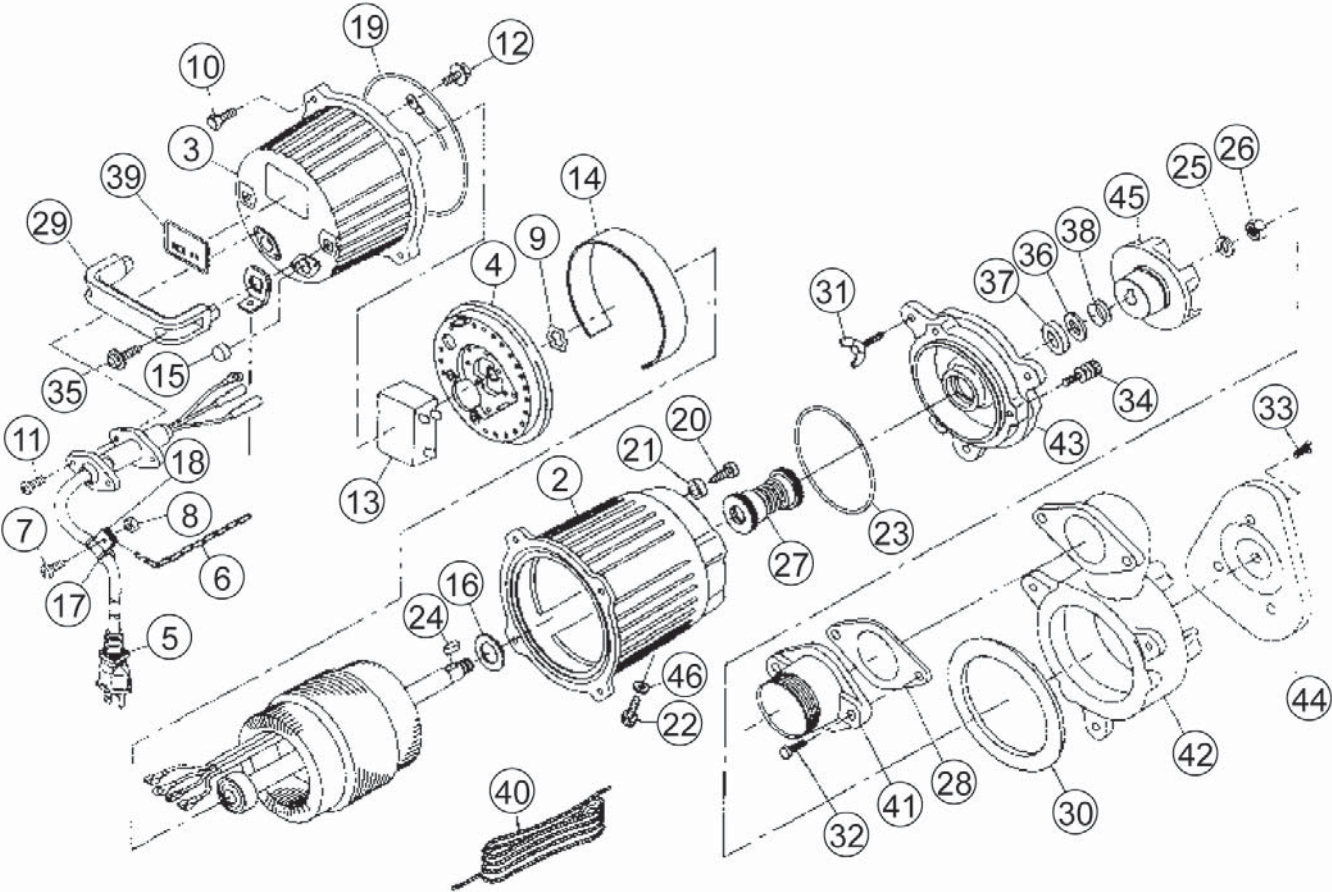


RPB7-65011

Ref #	Part Number	Description	Qty
1	0438048	Motor Ay	1
2	0430232	Power Cord	1
3	0430012	Head Cover	1
4	0430220	Front Bracket	1
5	0430004	Frame Gasket	1
6	0430003	Head Gasket	1
7	0390027	Chain Ay	1
8	0260018	Cord Band	1
9	0390031	Cord Supporter	1
10	893555043	Oil Seal	2
11	0430043	Screw	4
12	0430231	Supporter	1
13	0430082	Washer	1
14	0430008	Outer Cover	1
15	0430013	Outer Gasket	1
16	0430223	Casing	1
17	0430225	Strainer	1
18	889955100	O ring	1
19	890155150	O ring	1
20	0430253	Stud Bolt	3
21	0430226	Suction Cover	1
22	0430227	Suction Cover Gasket	1
23	0430234	Impeller	1
24	0390025	Adjusting Washer	2
25	0430078	Handle	1
26		Label	1
27	0390003	Mechanical Seal	1

Ref #	Part Number	Description	Qty
28	0340153	Screw	1
29	0340142	Seal Ring	1
30	0390037	Hex Socket Bolt	1
31	854255010	Seal Washer	1
32	0390092	Delivery Gasket	1
33	884205023	Key	1
34	845205010	Toothed Washer	1
35	0430044	Hex Socket Bolt	3
36	707605057	Screw	2
37	827405010	Hex Nut	1
38	827405008	Hex Nut	5
39	0430143	Delivery Flange	1
40	747805028	Hex Bolt	4
41	0430074	Sleeve	1
43	940019060	Hose Band	1
44	0390101	Rope	1
45	0430294	Spacer	3
46	0430295	Spacer	1
47	0430293	Thermal Protector	1
48	0430296	Condenser	2
49	707819036	Screw	3
50	0430082	Wave Washer	1
51	703305100	Screw	1
52	827305005	Hex Nut	1
53	703305102	Screw	2
54	708119039	Screw	3
55	708119041	Screw	1

RPKS-65011*

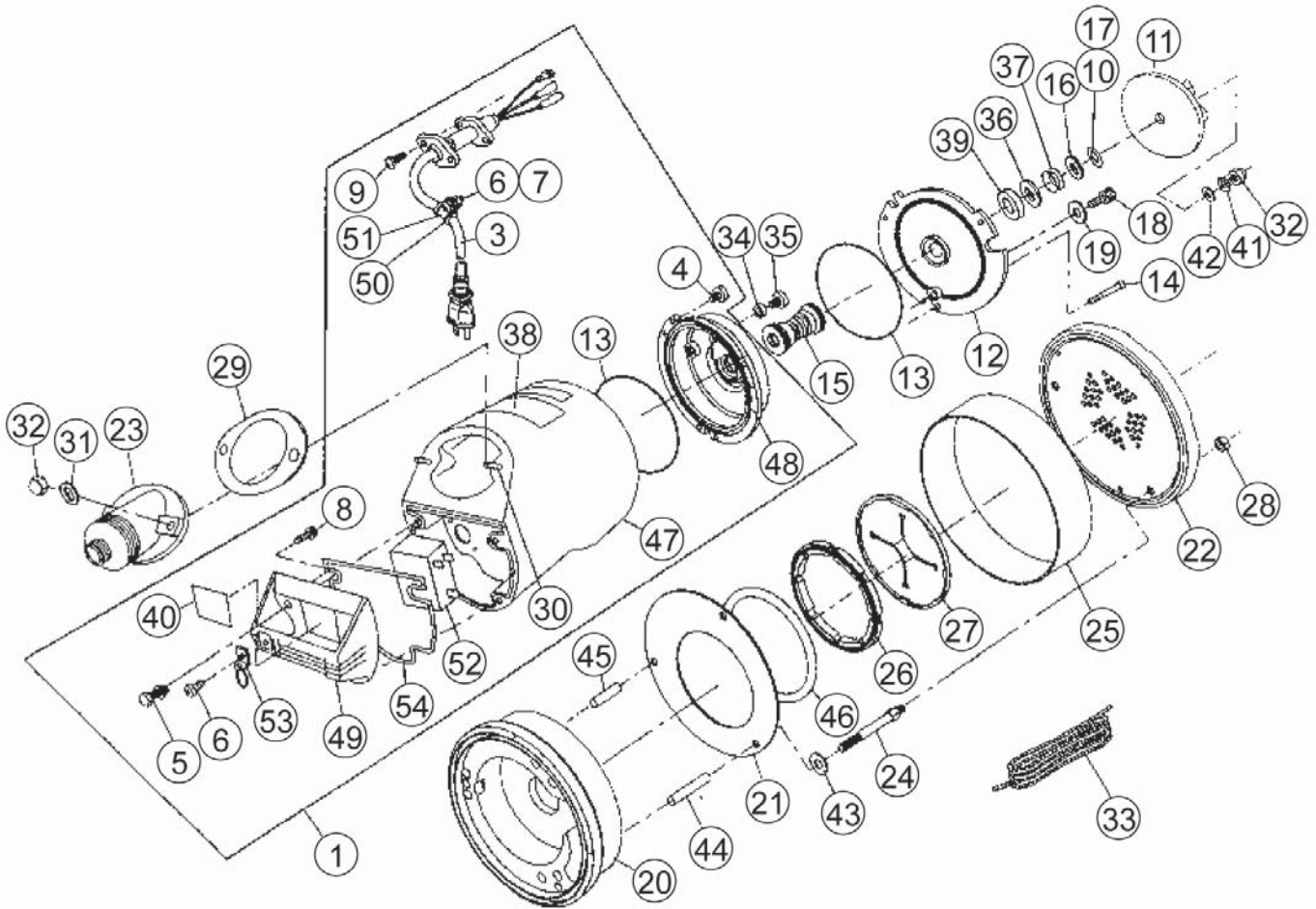


RPKS-65011*

Ref #	Part Number	Description	Qty
2	0390473	Frame	1
3	0390566	Head Cover	1
4	0390475	Bracket	1
5	0430088	Power Cord	1
6	0398106	Chain Ay	1
7	0390483	Screw	1
8	0390484	Hex Nut	1
9	0390490	Wave Washer	1
10	0390494	Hex Bolt	4
11	0390495	Screw	2
12	0390497	Screw	1
13	0390578	Condenser	1
14	0390500	Supporter	1
15	0390501	Head Bushing	1
16	0390590	Bearing Washer	1
17	0390031	Cord Supporter	1
18	0260018	Cord Band	1
19	0390149	Head Gasket	1
20	0340153	Screw	1
21	0340142	Seal Ring	1
22	0390516	Hex Socket Bolt	1
23	0390518	O ring	1
24	0390519	Key	1

Ref #	Part Number	Description	Qty
25	843805010	Spring Washer	1
26	0390523	Hex Nut	1
27	0390511	Mechanical Seal	1
28	0390559	Delivery Gasket	1
29	0390509	Handle	1
30	0390551	Casing Gasket	1
31	0390554	Wing Bolt	3
32	0390555	Hex Bolt	2
33	0390556	Hex Bolt	3
34	0390557	Hex Socket Bolt	3
35	0390552	Screw	2
36	0390571	Thrust Washer	1
37	0390570	Thrust Washer Gasket	1
38	0390575	Oil Seal	1
39		Label	1
40	0390101	Rope	1
41	0430143	Delivery Flange	1
42	0390161	Casing	1
43	0390162	Front Bracket	1
44	0390311	Bottom Plate	1
45	0390164	Impeller	1
46	854255010	Seal Washer	1

RPXL-65011



RPXL-65011

Ref #	Part Number	Description	Qty
1	0438101	Motor Ay	1
3	0430308	Power Cord	1
4	734605035	Hex Bolt	3
5	0430406	Hex Bolt	4
6	703305100	Screw	2
7	0430409	Nut	1
8	707820074	Screw	1
9	703305102	Screw	2
10	0430441	Adjusting Washer	3
11	0430280	Impeller	1
12	0430271	Front Cover	1
13	889955125	O ring	1
14	734505037	Hex Socket Bolt	3
15	0430243	Mechanical Seal	1
16	0430300	Adjusting Washer	1
18	0390037	Hex Socket Bolt	1
19	854255010	Seal Washer	1
20	0430334	Casing	1
21	0430329	Suction Cover	1
22	0430241	Bottom Strainer	1
23	0430367	Delivery Flange	1
24	0430242	Stud Bolt	3
25	0430236	Strainer Stand	1
26	0430239	Seal Ring	1
27	0430331	Check Valve	1
28	827405008	Nut	3
29	0430283	Delivery Gasket	1

Ref #	Part Number	Description	Qty
30	0430290	Stud Bolt	2
31	846007008	Washer	2
32	835305008	Cap Nut	3
33	0390101	Rope	1
34	0340142	Seal Ring	1
35	0340153	Screw	1
36	0340277	Thrust Washer	1
37	895154014	Oil Seal	1
38		Label	1
39	0430299	Thrust Washer Gasket	1
40		Label	1
41	845305008	Toothed Washer	1
42	846505008	Washer	1
43	854255008	Seal Washer	3
44	0430361	Spacer, long	2
45	0430362	Spacer, short	1
46	0430360	Suction Cover Gasket	1
47	0430266	Motor Frame	1
48	0430267	Bracket	1
49	0430268	Handle	1
50	0390031	Cord Supporter	1
51	0260018	Cord Band	1
52	0430392	Condenser	1
53	0438066	Chain Ay	1
54	0430401	Head Gasket	1

