

M-3 Lightweight Stair Rigs



6" Standard Bit Capacity, 3" (hand held)

Features & Benefits

- Single switch outlet control panel with amp meter (except for CB700 models with LED amp meter)
- 1-1/2" square column (mast) with black oxidized finish
- Swivel base and mast
- Slide handle
- Ceiling jack
- 4 leveling screws on the base
- Wheel kit on anchor models
- Light weight and economical
- Slide handle permits drilling in tight areas
- Swivel masts can turn 360° for easy drilling on stairs
- Compact size for hard-to-reach drilling areas
- Ceiling jack helps keep the rig in place as a backup for anchoring or vacuuming the base down (used with a brace piece - 2x4 or other material)
- Weka models allow the motor to be unmounted and used hand-held

Part # 4247405



Core Rigs



Improved Vacuum Seal Retention Keeps Vacuum Gasket Held Into the Base Longer for a Durable Seal



For Milwaukee & CB748 Motors
(30" overall length mast)



The Weka DK12 & DK13 M-3 Models Allow You to Remove the Motor To Use in Hand-Held Applications!
Up to 3" Bit Capacity When Used Hand Held

For Weka Motors
(30" overall length mast)



For Milwaukee & CB748 Motors
(34" mast)

For Weka Motors
(34" mast)

M-3 COMBINATION DRILL RIGS WITH VACUUM PUMP

MODEL #	MOTOR	RPM	Combo Rig Part #	Cat #	Product Weight (lbs.)
M3C-14-DK12-V	14 Amp Weka DK12	970/2330/4400	4247405	01819	84
M3C-14-DK13-V	14 Amp Weka DK13	970/2330/4400	4247406	87271	84
M3C-15-MW4097-V	15 Amp Milwaukee	500/1000	4247435	01820	90
M3C-20-CB-V	20 Amp Core Bore	350/900	4247525	01821	90
M3C-20-CB700-V	20 Amp Core Bore CB700	400/930	4247013	30190	90
M3C-20-MW4004-V	20 Amp Milwaukee	300/600	4247538	10165	90
M3C-20-MW4096-V	20 Amp Milwaukee	450/900	4247530	54220	90
M3C-20-MW4005-V	20 Amp Milwaukee	600/1200	4247539	01822	90

M-3 COMBINATION DRILL RIGS WITHOUT VACUUM PUMP

M3C-14-DK12	14 Amp Weka DK12	970/2330/4400	4247437	76919	63
M3C-15-MW4097	15 Amp Milwaukee	500/1000	4247438	65890	63
M3C-20-CB	20 Amp Core Bore	350/900	4247440	87074	68
M3C-20-CB700	20 Amp Core Bore CB700	400/930	4247012	30181	68
M3C-20-MW4004	20 Amp Milwaukee	300/600	4247441	10166	68
M3C-20-MW4096	20 Amp Milwaukee	450/900	4247442	70581	68
M3C-20-MW4005	20 Amp Milwaukee	600/1200	4247443	10168	68

M-3 ANCHOR DRILL RIGS

M3A-14-DK12	14 Amp Weka DK12	970/2330/4400	4247001	01811	68
M3A-15-MW4097	15 Amp Milwaukee	500/1000	4247003	01813	68
M3A-20-CB	20 Amp Core Bore	350/900	4247005	01815	70
M3A-20-CB700	20 Amp Core Bore CB700	400/930	4247011	30171	70
M3A-20-MW4004	20 Amp Milwaukee	300/600	4247009	49990	70
M3A-20-MW4096	20 Amp Milwaukee	450/900	4247008	47280	70
M3A-20-MW4005	20 Amp Milwaukee	600/1200	4247010	01817	70

CB700 Rigs do not include a control panel.

CB700 has a built-in amp meter.

Drill stand only includes: base, column (mast), carriage, ceiling jack and motor mount plate

Complete combination rig includes: combo anchor/vacuum base, drill motor, column (mast), motor mount, carriage, control panel, vacuum pump vacuum gasket and ceiling jack

Complete anchor rig includes: small anchor base, drill motor, column (mast), carriage, motor mount, control panel, vacuum gasket, ceiling jack and wheel kit

Over a Thousand Different Ways to Build Your Custom Rig!

Custom Combination Rig Components:

Combo drill stand, Drill motor, optional control panel and optional vacuum pump

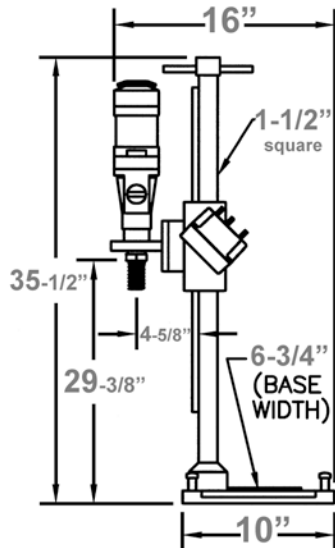
Custom Anchor Rig Components:

Anchor drill stand, drill motor and optional control panel

Core Rigs

M-3 ANCHOR

Location to drill anchor hole = 12" Measured from the center of the motor spindle to the center of the anchor slot on base



M-3 COMBO

Location to drill anchor hole = 11-1/2" Measured from the center of the motor spindle to the center of the anchor/vacuum slot on base

