

M-2 Heavy Duty Core Rigs



Electric



Hydraulic Options

The #1 Pro Rig in the U.S.A.

10" Standard Bit Capacity, 36" w/spacers

Features & Benefits

- Dual switch/outlet control panel with amp meter (except for CB700 models with LED amp meter)
- 4-spoke handle
- 2-7/8" precision made, chrome plated square column (mast)
- Vacuum pump for quick mounting to flat surface without drilling an anchor hole (Included with combination rig)
- 6" wheels for easy mobility
- 4 Leveling Screws on base
- Heavy duty rig for larger jobs and the professional driller
- Larger mast to withstand high torque and large diameter bits
- The 4-spoke handle allows the operator to easily apply feed pressure
- Optional roller carriage allows for more precise drilling
- Combo base is a quick change over from vacuum to anchor base
- Autofeed option available



M-2 Complete Combo Rig with CB748 motor



M-2 Complete Combo Rig with Weka motor



Improved Vacuum Seal Retention Keeps Vacuum Gasket Held Into the Base Longer for a Durable Seal

(42" mast)

(42" mast)

(42" mast)

(42" mast)

(42" mast)

Core Rigs

COMPLETE M-2 COMBINATION DRILL RIGS WITH VACUUM PUMP

| Model # | Motor Make/Model | Power | Motor RPM | Part # | Cat # | Product Weight (lbs.) |
|-----------------|------------------|--------|---------------|---------|-------|-----------------------|
| M2C-20-CB-V | Core Bore CB748 | 20 amp | 350/900 | 4241050 | 01696 | 135 |
| M2C-20-CB700-V | Core Bore CB700 | 20 amp | 400/930 | 4241164 | 30117 | 135 |
| M2C-20-MW4004-V | Milwaukee 4004 | 20 amp | 300/600 | 4241048 | 01694 | 139 |
| M2C-20-MW4096-V | Milwaukee 4096 | 20 amp | 450/900 | 4241059 | 01704 | 139 |
| M2C-20-MW4005-V | Milwaukee 4005 | 20 amp | 600/1200 | 4241049 | 01695 | 139 |
| M2C-15-MW4097-V | Milwaukee 4097 | 15 amp | 500/1000 | 4241051 | 59573 | 139 |
| M2C-23-DK22-V | Weka DK22 | 23 amp | 550/1120/1680 | 4241068 | 47426 | 137 |
| M2C-23-DK22S-V | Weka DK22S | 23 amp | 800/1640/2430 | 4241069 | 50007 | 137 |

COMPLETE M-2 COMBINATION DRILL RIGS WITHOUT VACUUM PUMP

| | | | | | | |
|---------------|-----------------|--------|---------------|---------|-------|-----|
| M2C-20-CB | Core Bore CB748 | 20 amp | 350/900 | 4241082 | 71149 | 122 |
| M2C-20-CB700 | Core Bore CB700 | 20 amp | 400/930 | 4241166 | 30152 | 122 |
| M2C-20-MW4004 | Milwaukee 4004 | 20 amp | 300/600 | 4241083 | 76314 | 124 |
| M2C-20-MW4096 | Milwaukee 4096 | 20 amp | 450/900 | 4241084 | 75479 | 124 |
| M2C-20-MW4005 | Milwaukee 4005 | 20 amp | 600/1200 | 4241085 | 69558 | 124 |
| M2C-15-MW4097 | Milwaukee 4097 | 15 amp | 500/1000 | 4241086 | 76984 | 124 |
| M2C-23-DK22 | Weka DK22 | 23 amp | 550/1120/1680 | 4241088 | 73291 | 120 |
| M2C-23-DK22S | Weka DK22S | 23 amp | 800/1640/2430 | 4241089 | 75275 | 120 |

COMPLETE M-2 ANCHOR DRILL RIGS

| | | | | | | |
|---------------|-----------------|--------|---------------|---------|-------|-----|
| M2A-20-CB | Core Bore CB748 | 20 amp | 350/900 | 4241001 | 01686 | 110 |
| M2A-20-CB700 | Core Bore CB700 | 20 amp | 400/930 | 4241163 | 30098 | 110 |
| M2A-20-MW4004 | Milwaukee 4004 | 20 amp | 300/600 | 4241009 | 01692 | 114 |
| M2A-20-MW4096 | Milwaukee 4096 | 20 amp | 450/900 | 4241003 | 01687 | 114 |
| M2A-20-MW4005 | Milwaukee 4005 | 20 amp | 600/1200 | 4241010 | 01693 | 114 |
| M2A-15-MW4097 | Milwaukee 4097 | 15 amp | 500/1000 | 4241006 | 01689 | 114 |
| M2A-23-DK22 | Weka DK22 | 23 amp | 550/1120/1680 | 4241008 | 01691 | 114 |
| M2A-23-DK22S | Weka DK22S | 23 amp | 800/1640/2430 | 4241011 | 52247 | 114 |

CB700 Rigs do not include a control panel. - CB700 has a built-in amp meter.

Over a Thousand Different Ways to Build Your Custom Rig!

Drill Stand Only includes: base, column (mast), carriage, ceiling jack, motor mount plate and wheels

Complete Combination Rig includes: combo anchor/vacuum base, drill motor, column (mast), motor mount, carriage, control panel, vacuum pump

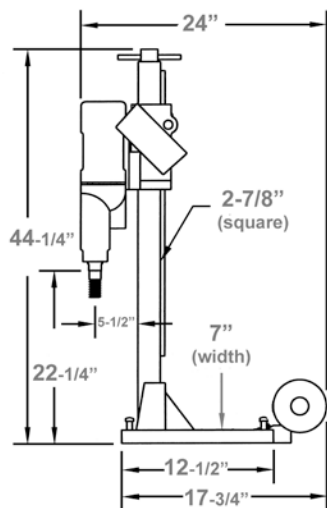
Complete Anchor Rig includes: small anchor base, drill motor, column (mast), carriage, control panel, ceiling jack and wheel kit

Custom Combination Rig Components:

Combo drill stand, Drill motor, optional control panel and optional vacuum pump

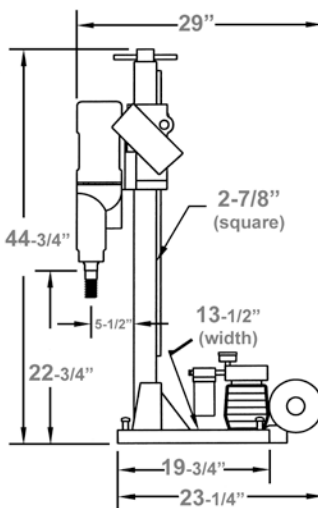
Custom Anchor Rig Components:

Anchor drill stand, drill motor and optional control panel



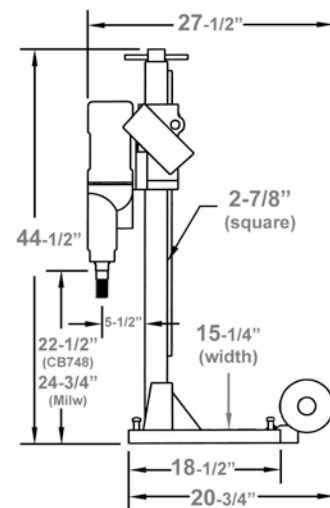
M-2 ANCHOR

Location to drill anchor hole = 12" Measured from the center of the motor spindle to the center of the anchor slot on base



M-2 COMBO

Location to drill anchor hole = 12" Measured from the center of the motor spindle to the center of the anchor/vacuum slot on base



M-2 LARGE ANCHOR

Location to drill anchor hole = 12-1/2" Measured from the center of the motor spindle to the center of the anchor slot on base