

CC6566D Liquid Cooled Walk Behind Saw



Diesel

Cool Running, Fuel Efficient and Reliable 66 HP Kubota® Diesel

14" - 42" Blade Capacity

Self-Propelled Drive

Features & Benefits

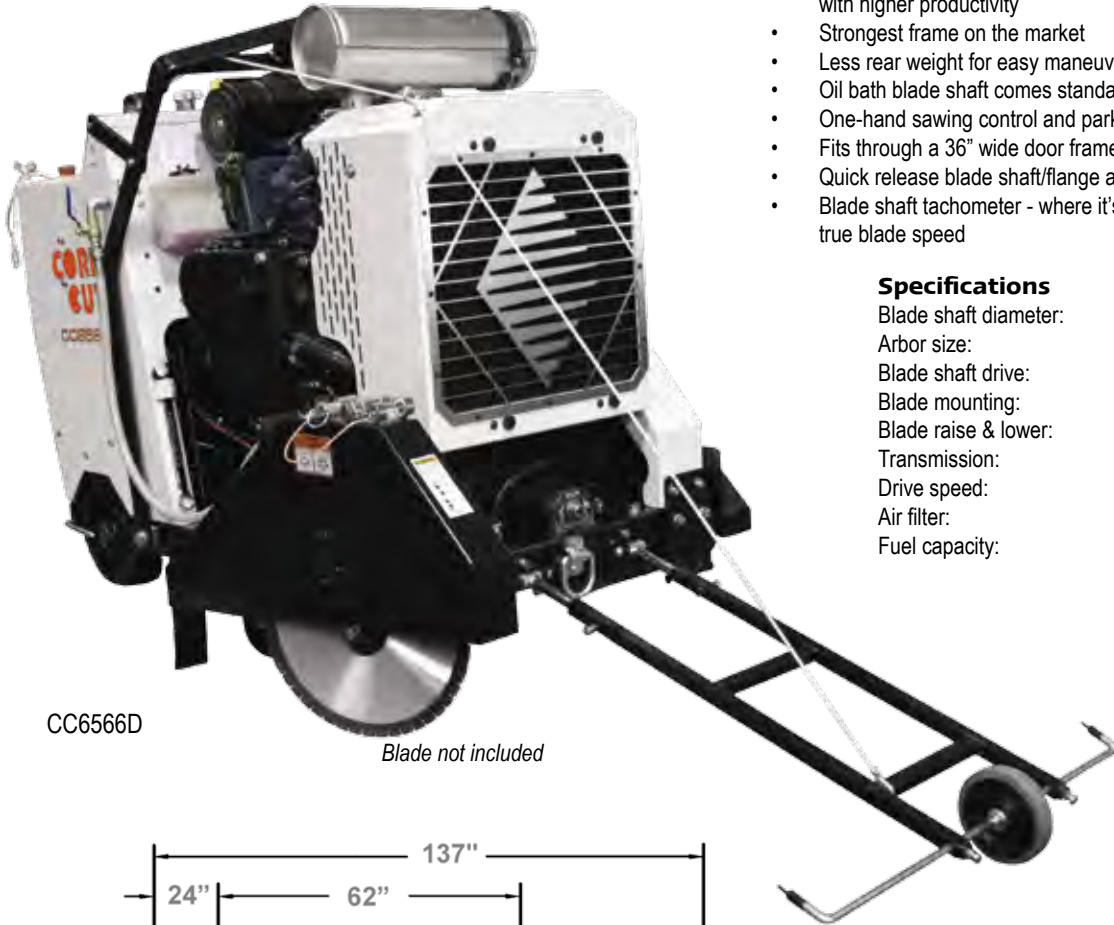
- Liquid-cooled engine allows for a smoother running, longer lasting saw with higher productivity
- Strongest frame on the market
- Less rear weight for easy maneuvering and reduced operator fatigue
- Oil bath blade shaft comes standard
- One-hand sawing control and parking brake
- Fits through a 36" wide door frame (when guard is removed)
- Quick release blade shaft/flange and rear wheels
- Blade shaft tachometer - where it's needed - not at the engine, gives true blade speed

Specifications

Blade shaft diameter:	2"
Arbor size:	1" with drivepin
Blade shaft drive:	10 belt
Blade mounting:	Right or left
Blade raise & lower:	Electro-hydraulic pump
Transmission:	Eaton model 10
Drive speed:	0-200 feet/minute
Air filter:	4 stage
Fuel capacity:	9 gallons

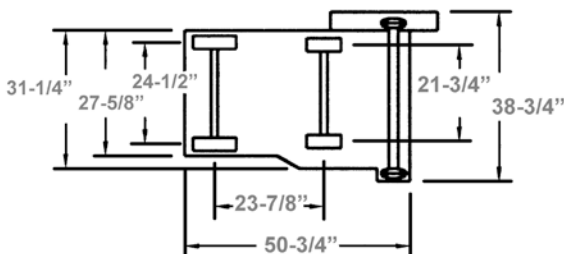
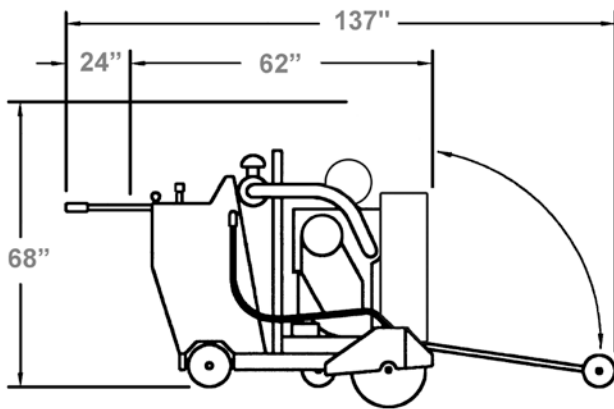
Includes

- Bladeshft tachometer
- Hour meter
- Frame lift
- Telescoping front pointer
- Parking brake
- Cutting depth indicator
- Quick disconnect blade flanges
- Oil bath blade shaft



CC6566D

Blade not included



Horsepower and Torque as rated by the engine manufacturer.

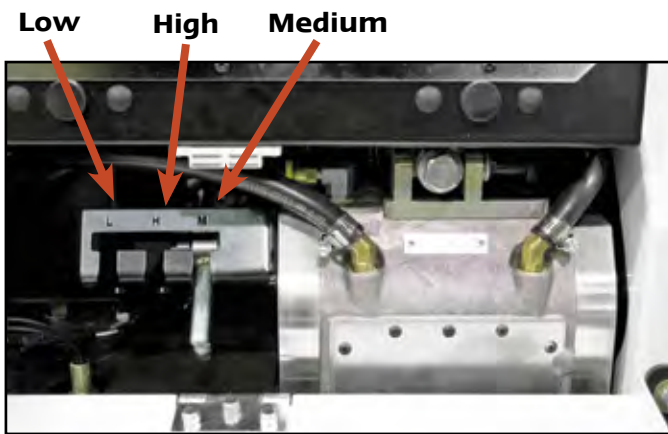
Sawing

* Saw width is reduced by removing blade guard to permit entry through a 36" opening

CC6566D DIESEL LIQUID COOLED WALK BEHIND SAW

Saw Model #	Engine/Motor Make	Speeds	Engine/Motor Power	Power Source	Blade Capacity	Part #	Cat #	Product Weight (lbs)
CC6566D-14	Kubota	Single	66 HP	Diesel	14"	5801120	55731	1,895
CC6566D-20	Kubota	Single	66 HP	Diesel	20"	5801121	54312	1,899
CC6566D-26	Kubota	Single	66 HP	Diesel	26"	5801122	53963	1,908
CC6566D-30	Kubota	Single	66 HP	Diesel	30"	5801123	52657	1,918
CC6566D-36	Kubota	Single	66 HP	Diesel	36"	5801124	53651	1,928
CC6566D-42	Kubota	Single	66 HP	Diesel	42"	5801125	55735	1,938
CC6566D-3-14	Kubota	3-Speed (14"/26"/36")	66 HP	Diesel	14"	5801130	55736	1,915
CC6566D-3-20	Kubota	3-Speed (20"/30"/42")	66 HP	Diesel	20"	5801131	55311	1,920
CC6566D-3-26	Kubota	3-Speed (14"/26"/36")	66 HP	Diesel	26"	5801132	52835	1,930
CC6566D-3-30	Kubota	3-Speed (20"/30"/42")	66 HP	Diesel	30"	5801133	52838	1,945
CC6566D-3-36	Kubota	3-Speed (14"/26"/36")	66 HP	Diesel	36"	5801134	54515	1,965
CC6566D-3-42	Kubota	3-Speed (20"/30"/42")	66 HP	Diesel	42"	5801135	54494	1,985

3-Speed Gearbox and Adjustment



CC6566D OPTIONS

Description	Part #	Cat #
Water Safety Switch	6010522	67821
Water Pump (electric)	6011032	02506
Spot Light	6010112	02427
Lowering Speed Metering Valve	6010227	02480
Blade stacking kit - 4-1/2" flange (for blades 1-1/2" apart)	6010630A	23186
Blade spacing kit - 4-1/2" flange (for blades 2" apart)	6010631A	23187
Blade spacing kit - 4-1/2" flange (for blades 4" apart)	6010632A	16558
14" Tapered Mount Blade Guard	6010950	20011
20" Tapered Mount Blade Guard	6010952	08213
26" Tapered Mount Blade Guard	6010954	19322
30" Tapered Mount Blade Guard	6010956	20456
36" Tapered Mount Blade Guard	6010958	13375
42" Tapered Mount Blade Guard	6010960	08216



CC6566D SINGLE SPEED RPM

Blade Size	Blade RPM	Max Cut Depth
14"	2,900	4-1/2"
20"	2,500	7-1/2"
26"	2,100	10-1/2"
30"	1,800	11-3/4"
36"	1,500	14-3/4"
42"	1,300	17-3/4"

CC6566D 3-SPEED RPM

Blade Size	Blade RPM	Gear Setting High, Med, Low	Max Cut Depth
14"	2,900	H	3-3/4"
20"	2,700	H	6-3/4"
26"	1,925	M	9-3/4"
30"	1,800	M	11-3/4"
36"	1,300	L	14-3/4"
42"	1,200	L	17-3/4"